

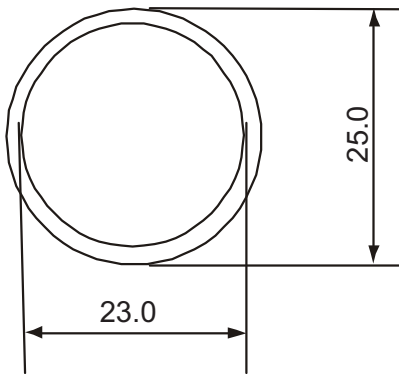
DESCRIPTION

- Ø25.0mm Round LED Light Bar Series
- Standard Brightness
- Low Current Operation
- Excellent Character Appearance
- Easy Mounting on PC Boards or Sockets

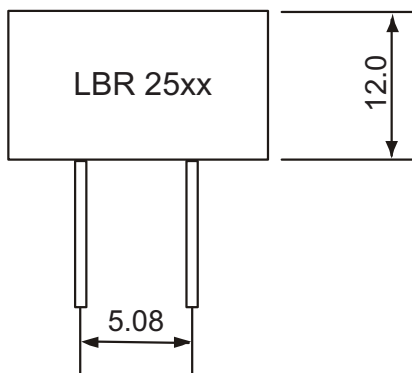
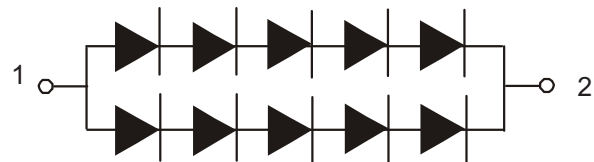


Package Dimensions & Internal Circuit Diagram

LBR25 Series



LBR 25Ax



Notes:

All dimensions are in millimeters (inches)
Tolerance is ±0.25 (0.01") unless otherwise noted.
Specifications are subject to change without prior notice.

Absolute Maximum Ratings (Ta = 25°C)

| Parameter | Symbol | Test Condition | Value | | Unit |
|-----------------------|-------------------|-----------------------|-------|-------|------|
| | | | Min | Max | |
| Reverse Voltage | V _R | IR= 30μA | 5 | ----- | V |
| Forward Current | I _f | ----- | ----- | 40 | mA |
| Power Dissipation | P _d | ----- | ----- | 100 | mW |
| Pulse Current | I _{peak} | Duty = 0.1ms, 1KHz | ----- | 300 | mA |
| Operating Temperature | Topr | ----- | - 40 | +85 | °C |
| Storage Temperature | Tstr | ----- | - 40 | +85 | °C |

XX :Surface / Epoxy Color :

| | | | | | | |
|--------------------------------|------------------------|----------------------|------------------------|-------------------------|-----------------------|---------------------|
| Surface Color Number | White 0 | Black 1 | Gray 2 | Red 3 | 4 | 5 |
| Epoxy Color Number | White Diffused 0 | Red Diffused 1 | Green Diffused 2 | Yellow Diffused 3 | Blue Diffused 4 | Water Clear 5 |